

SCHLETTER
The Solar Mounting Group

PROFILES

PRODUCT SHEET



Profiles ProLine

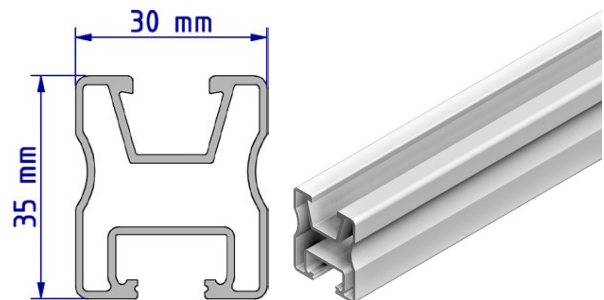
The profile of the new ProLine series with the fitting accessories. Can be combined with roof hooks, connectors and clamps of the ProLine series.

The structural analysis tables for cross beams and the load determination software can be found in the internet at www.schletter-group.com (customer area > software download).

Module support profile Pro35

The mechanical connection of the module support profile Pro35 is made at the bottom with the M10 screw channel and at the top with the KlickNut Pro. The module support profile Pro35 with a height of 35mm and a width of 30mm is available in the lengths 450mm, 4400mm, 5500mm.

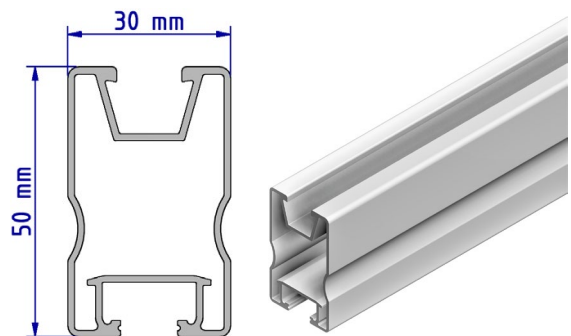
AL blank	
120020-00450	450 mm
120020-04400	4400 mm
120020-05500	5500 mm



Module support profile Pro50

The Pro50 module support profile is also mechanically connected at the top with the KlickNut Pro and at the bottom with the M10 screw channel. The width remains unchanged at 30mm, the height is as the name suggests 50mm. The lengths offered are 3300mm, 4400mm, 5500mm and 6000mm.

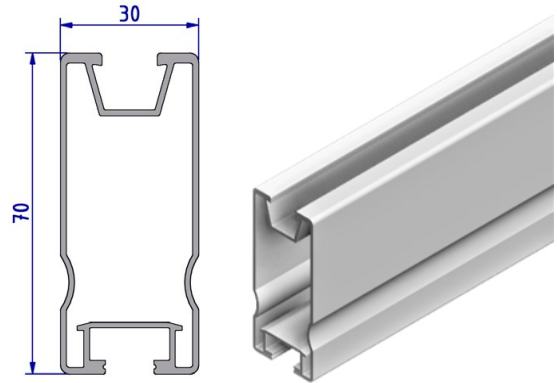
AL blank	
120021-03300	3300 mm
120021-04400	4400 mm
120021-05500	5500 mm
120021-006	6000 mm



Module support profile Pro70

The highest module support profile is the Pro70 with a height of 70mm. The 30mm wide profile is available in lengths of 4400mm and 5500mm. The mechanical connection is again made by the KlickNut Pro at the top and the screw channel M10 at the bottom.

AL blank	
120022-04400	4400 mm
120022-05500	5500 mm



Profiles Solo & Eco

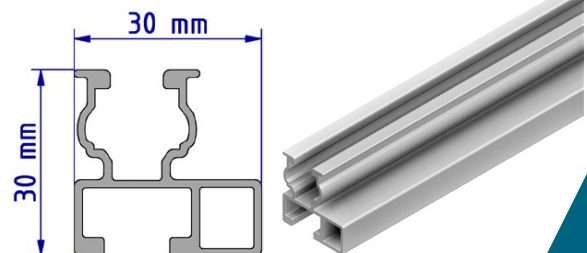
The series for the proven click system with matching accessories. Mounting with square nut, click system and Rapid2+.

The static tables for cross beams and the load determination software on the Internet can be found at www.schletter-group.com (Customer Area > Software Download).

Module support profile EcoLight

The mechanical connection of the EcoLight is made with the KlickNut M8 at the top and the screw channel M10 at the bottom. The 30*30mm wide and high profile is available in 4400mm and 5500mm lengths.

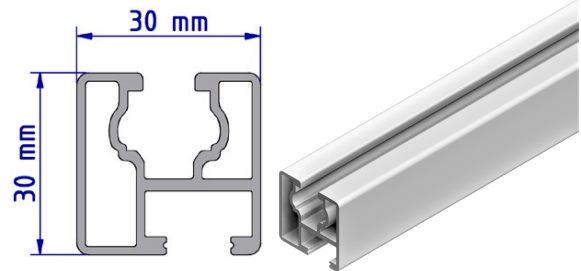
AL blank	
120011-04400	4400 mm
120011-05500	5500 mm



Module support profile Eco05

As with the EcoLight, the mechanical connection is made with the KlickNut M8 at the top and the screw channel M10 at the bottom. Length and width of the profile is with 30*30mm also identical with the Ecolight. Available lengths: 4400mm and 5500mm.

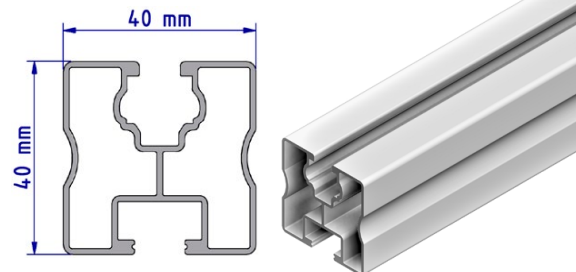
AL blank	
120001-04400	4400 mm
120001-05500	5500 mm



Module support profile Solo

The mechanical connection is made with the KlickNut M8 at the top and the screw channel M10 at the bottom. With a height of 40mm and a width of 40mm, the profile is available in blank aluminum and anodized black. In the aluminum version, the profile is available in lengths of 3300mm, 4400mm, 5500mm, 6000mm and 6200mm. In the version black anodized in the lengths 4300mm, 4400mm, 5300mm and 5500mm.

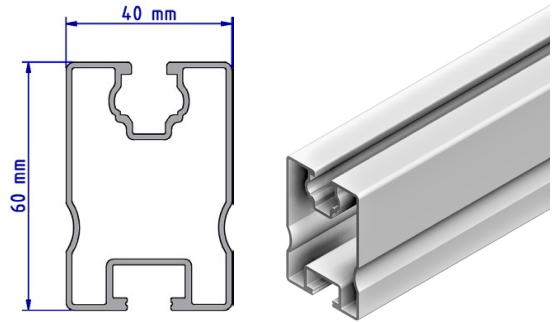
AL blank		Black anodized	
120005-03300	3300 mm	120005-94300*	4300 mm
120005-04400	4400 mm	120005-94400	4400 mm
120005-05500	5500 mm	120005-95300*	5300 mm
120005-006	6000 mm	120005-95500	5500 mm
120005-06200	6200 mm		



Module support profile SoloPlus

At 60mm, the SoloPlus module support profile is 20mm higher than the Solo profile. The width of 40mm stays the same. The mechanical connection remains unchanged with the KlickNut M8 and the screw channel M10. Available in the lengths 4400mm and 5500mm.

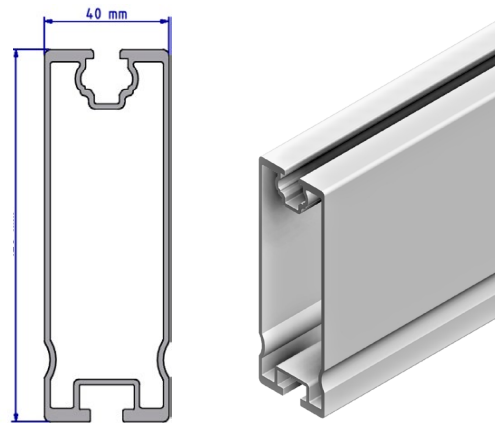
AL blank	
120006-04400	4400 mm
120006-05500	5500 mm



Module support profile Solo XL

The Solo XL profile has a height of 120mm and a width of 40mm. Available in a length of 5500mm, the mechanical connection is made by means of KlickNut M8 and screw channel M10.

AL blank	
120015-05500	5500 mm



Please note:

The lower M10 screw channel is only suitable for connection with the square-head screw 943410-025. Not for Rapid cross connectors, KlickTop or similar connections.

Profile accessories

ProLine profile accessories

129200-000	Pro internal connector	PU: 40
129200-010*	Pro plastic end cap	PU: 100

*Expected to be available from Q3/2021

Solo & Eco profile accessories

129001-003	E Eco connector, pre assembled	PU: 100	
129002-002	E Solo, SoloPlus, FixZ-7, FixZ-15 connector, pre-assembled	PU: 100	
129001-004	Eco internal connector set	PU: 50	
129060-001	Solo slide-in connector set	PU: 50	
129001-007	SoloPlus internal connector	PU: 25	
129001-008	EcoLight internal connector	PU: 25	
129001-009	SoloXL internal connector set	PU: 25	
AL blank	Black anodized		
129063-000	129063-900	Rapid cross connector Completely pre-assembled for Klicknut M8 For cross rail system, see Rapid cross connector product sheet	PU: 200
Grey	Black		
129011-000	129011-900	Solo plastic end cap	PU: 100
119033-002		Uno M8 universal adapter	PU: 50

As clamp dowel for special applications in connection with the Eco05 module support profile.
Support profile must be fastened with M8 screws to the clamp dowel.



SCHLETTER SOLAR GMBH

Alustrasse 1
83527 Kirchdorf
GERMANY

www.schletter-group.com